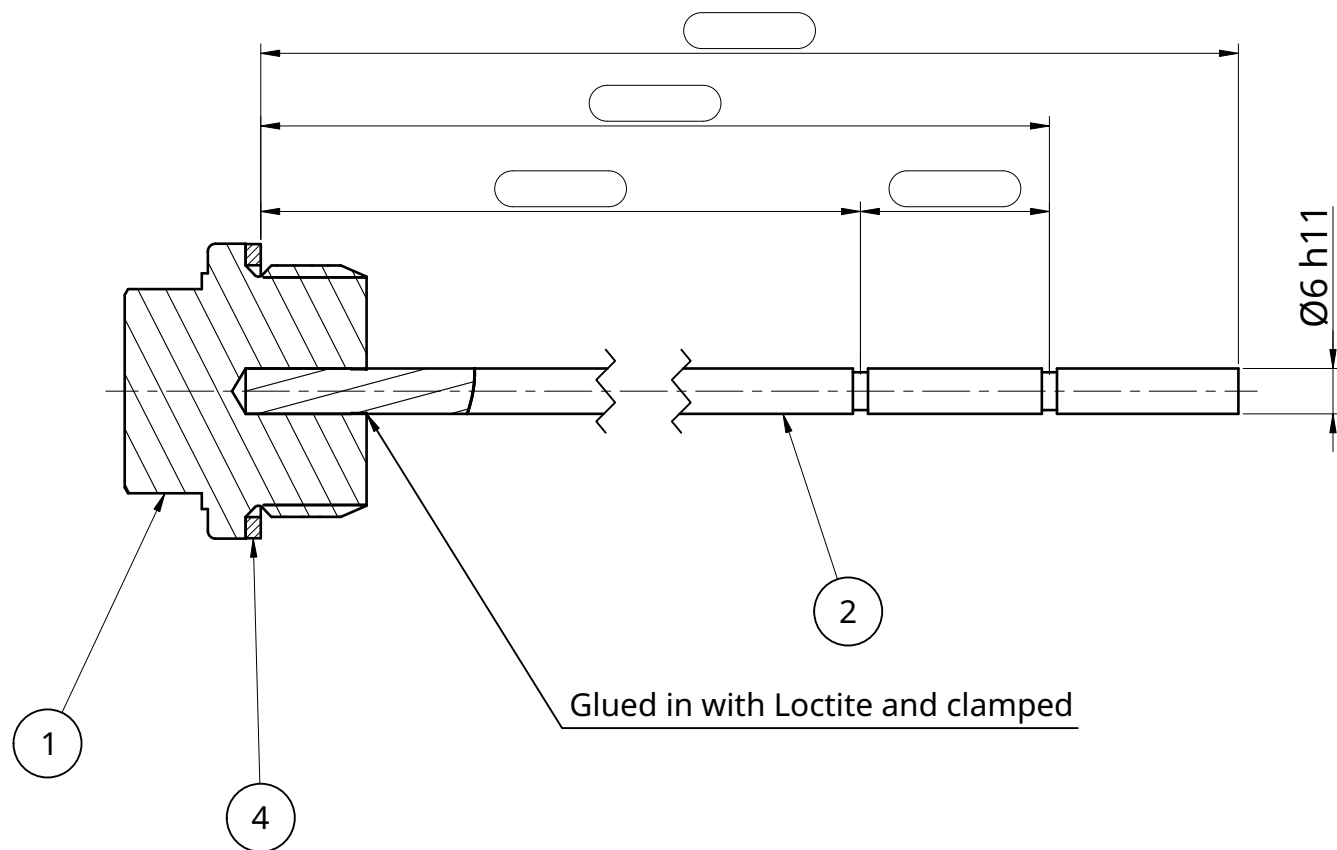
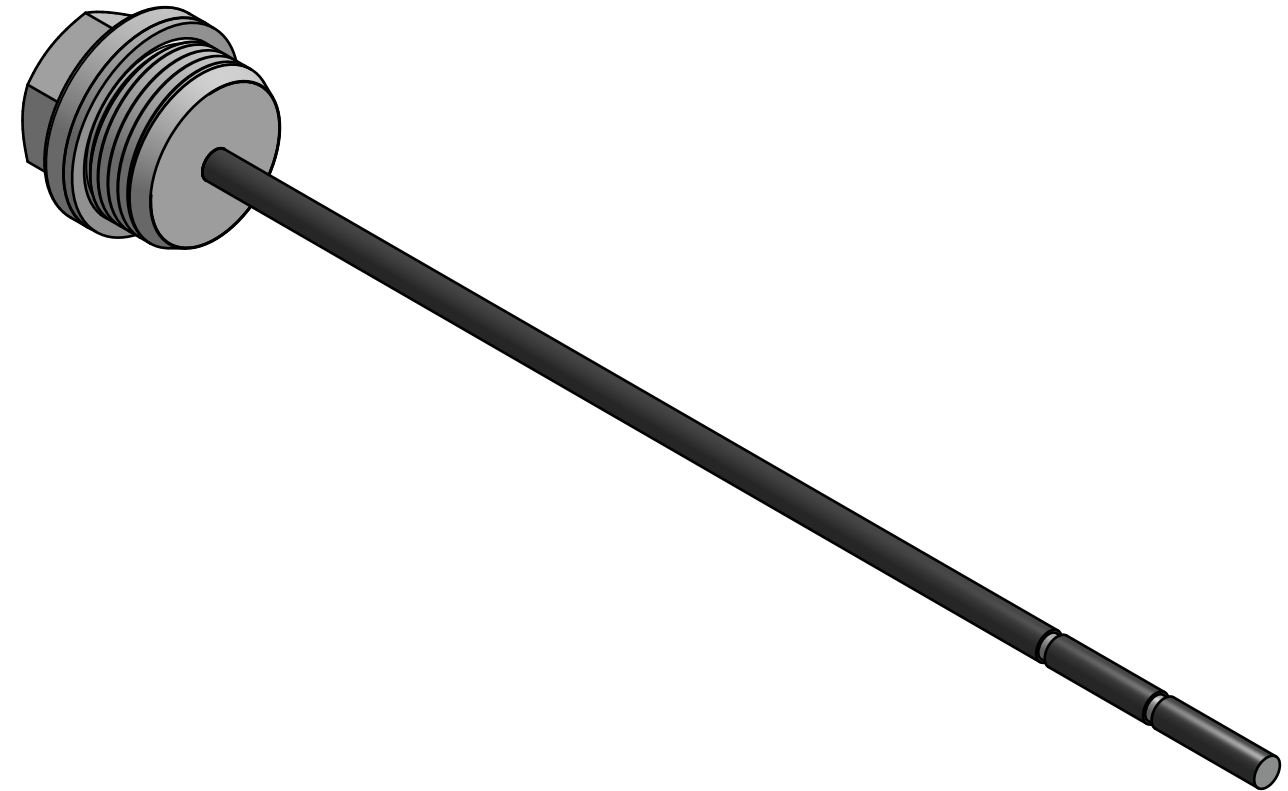
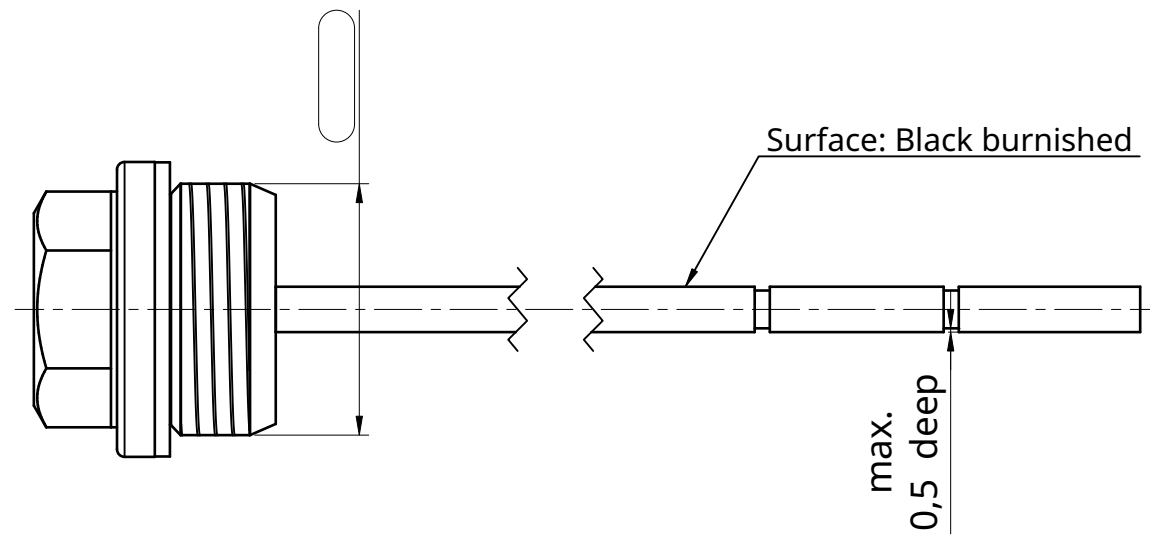




Request drawing

Please enter desired dimensions in fields:



Pos. / Item	Anz. / Qty.	Description	Material	Surface
1	1	Screw plug DIN 910	5.8	zinc-plated
2	1	Measuring bar round steel	1.0122 S235JR+C	burnished black
3	2	loctite Art.-Nr. 19150	Loctite 2701	green
4	1	VA 1.4571 Sealing ring DIN 7603 - A	1.4571 X6CrNiMoTi17-12-2 A4	bare

	 <small>Changes using the drawing board are prohibited</small>	Mass: 0.0000 kg	Scale: 1:1	Pos:	Quantity:
		State: CAD ±10%	Separate BOM	Separate BOM	
Dimensions without tolerance indication DIN ISO 2768-mk	Drawn	Date: 02.03.2023	Name: Glanzner	Oil dipstick with screw plug DIN 910	
Maße ISO 14405-1 / Size ISO 14405-1	Checked	Date: 02.03.2023	Name: Schmitt		
Surfaces, series 2 by DIN ISO 1302	Norm				
Edges by DIN ISO 13715	Copyright protection! We reserve all rights for this technical file.		Skarke GmbH Auf der Rut 4 / 64668 Rimbach-Mitlechtern Phone: 06253/8062-0 Fax: 06253/8062-22		1 / 1 A3
<small>Drawing: Oil dipstick with screw plug DIN 910</small>			<small>(State of the drawing: IN PROGRESS)</small>		